

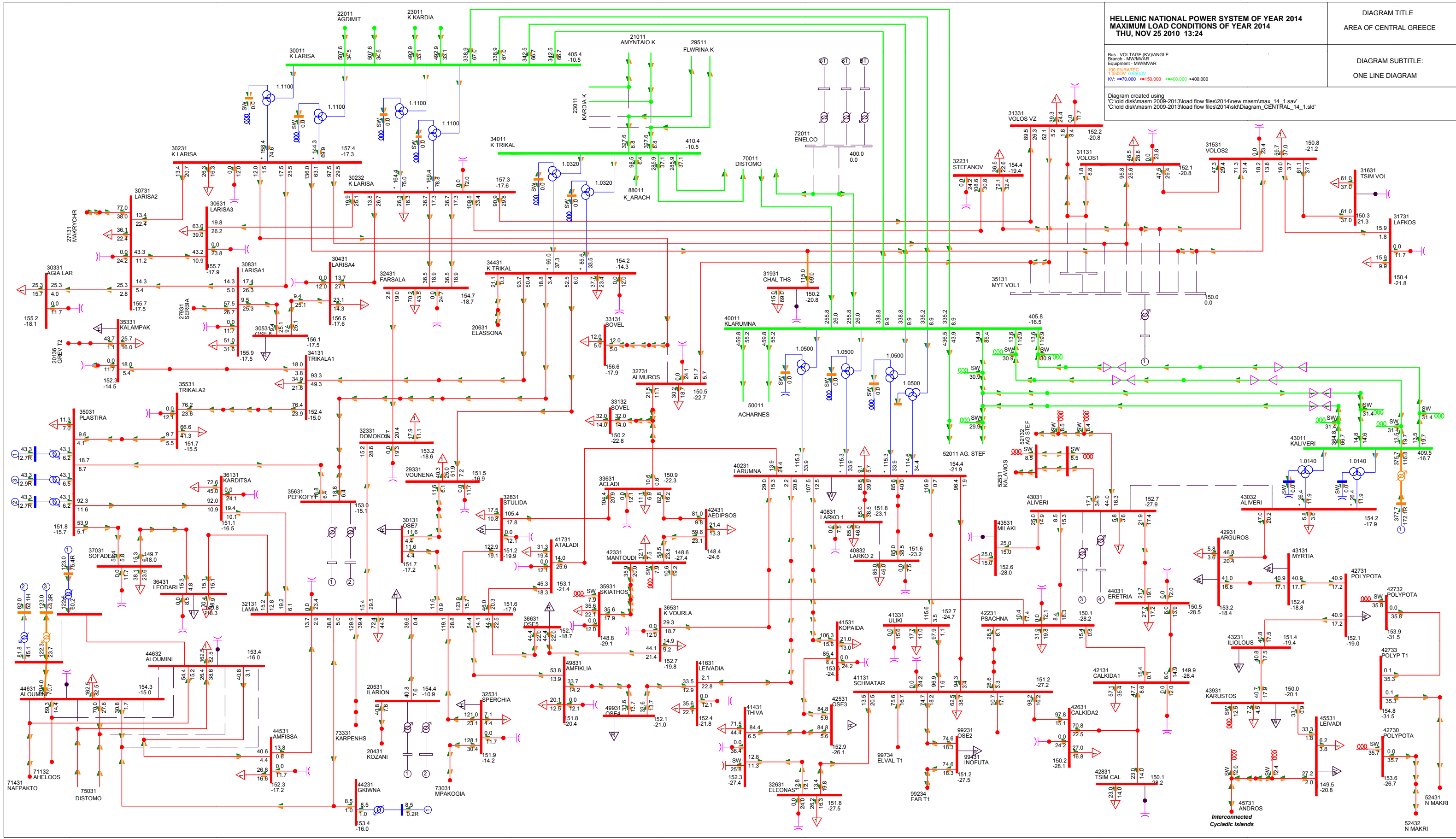
**HELLENIC NATIONAL POWER SYSTEM OF YEAR 2014**  
**MAXIMUM LOAD CONDITIONS OF YEAR 2014**  
**THU, NOV 25 2010 13:24**

Bus - VOLTAGE (KV)/ANGLE  
 Branch - MW/MVAR  
 Equipment - MW/MVAR  
 100%RATEC  
 1.05KOV 0.05KOV  
 KV: <=70.000 <=150.000 <=400.000 >400.000

Diagram created using  
 "C:\old disk\masm 2009-2013\load flow files\2014\new masm\max\_14\_1.sav"  
 "C:\old disk\masm 2009-2013\load flow files\2014\old\Diagram\_CENTRAL\_14\_1.sld"

DIAGRAM TITLE  
 AREA OF CENTRAL GREECE

DIAGRAM SUBTITLE:  
 ONE LINE DIAGRAM



Interconnected  
 Cycladic Islands

52431  
 N MAKRI